

NEW
*Automatic wicket door function
can be operated via the door handle*

 **BiSecur**



Side Sliding Sectional Door

Unhindered access with full passage height



Hörmann brand quality

For the best safety and reliability



“A good reputation must be earned.” (August Hörmann)

In line with the founder’s philosophy, the Hörmann brand today is a true promise of quality. The family-owned company has over 75 years of experience in door and operator construction and with sales of over 20 million doors, is no. 1 in Europe. This makes a Hörmann side sliding sectional door a reassuring purchase.



Made in Germany

All door and operator components are developed and manufactured by Hörmann. Our highly qualified employees work intensively on new products, continual further developments and improvement to details. The results are patents and one-of-a-kind products you can depend on. Endurance tests under real conditions ensure mature series products with Hörmann quality.



An eye on the future

Hörmann wants to set a positive example. This is why, from 2013 onwards, the company will obtain up to 40 % of its required energy from green sources and will continue to increase this percentage. At the same time, many tonnes of CO₂ are saved each year thanks to the introduction of an intelligent and certified energy management system. And last but not least, Hörmann also offers products for sustainable construction.



Certified brand quality

At Hörmann, doors and operators are perfectly matched to each other and approved and certified by independent established institutes for your safety. They are manufactured in Germany according to the DIN EN 9001 quality management system and fulfil all the requirements of European standard 13241-1.



Long-term performance

Thanks to excellent technical solutions and uncompromising quality assurance, you receive a 10-year warranty on all Hörmann side sliding sectional doors and a 5-year warranty on Hörmann operators.

* The complete warranty conditions can be found at: www.hoermann.com

Three good reasons to try Hörmann

The market leader has all the innovations



1

Smooth, quiet door travel and precise door guiding with twin rollers

Twin rollers

42-mm-thick panels with PU foam infill are guided safely and precisely at the top by stable twin rollers and at the bottom in a rounded floor rail. The floor rail is easy to clean, as it is open on both ends.

2

Safe operation with finger trap protection and automatic safety cut-out

Finger trap protection inside and outside

Optimally shaped door section transitions and hinges prevent fingers from being accidentally trapped.

Double automatic safety cut-out

The reliable automatic safety cut-out is active during both the opening and the closing cycle of the door. The door stops immediately if there is an obstacle in the opening zone or in the wall guide. This prevents injuries and damage to vehicles or property.

WORLD'S FIRST
*Automatic wicket door function
can be operated via the door handle*



3

Wicket door function can also be operated automatically via the door handle (optional)

Into your garage faster

Side sliding sectional doors can also be opened partially to allow pedestrians to pass. This lets you get into your garage faster, without the need for the whole door to be open.

More convenient with automatic partial opening

The passage width can be individually set in doors with an operator. The door is operated via the hand transmitter or the optional door handle with radio module.

For further information, please see page 13.



1



2



Only from Hörmann



3

The elegance of the side sliding sectional door

In three styles



M-ribbed with Woodgrain surface in Traffic white, RAL 9016 and Hörmann TopPrestige aluminium entrance door, style 568.

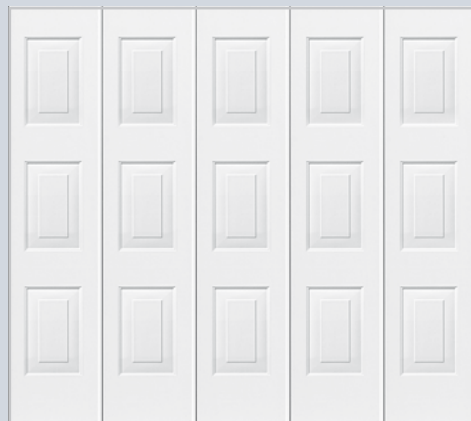
**With an optimally matched operator system
or as a manually operated door**



M-ribbed



L-ribbed



Panelled



42-mm sandwich panels

The example styles show doors with the dimensions
2500 × 2125 mm.

The following pages illustrate all of the surface finishes and
colours, technical data can be found from page 16 onwards.

M-ribbed

Surface finishes



Woodgrain



Silkgrain



Decograin Golden Oak

Max. size

Width 6500 mm

Height 3000 mm

L-ribbed

Surface finishes



Woodgrain



Silkgrain

Max. size

Width 6500 mm

Height 3000 mm

Panel

Surface finishes



Woodgrain



Decograin Golden Oak

Max. size

Width 6500 mm

Height 3000 mm

Note: The panel style is only available
in automatic doors

Insulated as standard

42-mm-thick PU foamed sandwich
panels offer excellent acoustic
and thermal insulation and increase
door stability.

Surface finishes, colours and handles

It's your choice

3 surface finishes



Woodgrain

On this robust surface with an authentic sawn timber look, minor scratches can be repaired without leaving any visible sign of damage.

Woodgrain, Traffic white (RAL 9016)



Silkgrain

This silky-smooth, elegant surface particularly fits well with modern architecture.

Silkgrain, Traffic white (RAL 9016)



Decograin Golden Oak

The UV-resistant synthetic foil coating on the exterior of the steel panels has all the aesthetics of timber. A special surface protection preserves the appearance of the door over a long time.

Decograin Golden Oak

Side sliding sectional doors are generally supplied with the colour Grey white (RAL 9002) on the interior of the door.

Hörmann side sliding sectional doors are available as standard in Traffic white (RAL 9016), in one of 15 equally-priced preferred colours or in Decograin Golden Oak. An additional accent can be set with a handle that harmonises with the colour of the door.

15 preferred colours

Grey aluminium	RAL 9007
White aluminium	RAL 9006
Terra brown	RAL 8028
Clay brown	RAL 8003
Ochre brown	RAL 8001
Window grey	RAL 7040
Light grey	RAL 7035
Stone grey	RAL 7030
Anthracite grey	RAL 7016
Fir green	RAL 6009
Moss green	RAL 6005
Pigeon blue	RAL 5014
Steel blue	RAL 5011
Ruby red	RAL 3003
Light ivory	RAL 1015

The surfaces are perfectly protected against rust. Rain runs off without leaving any streaky marks thanks to the use of hot galvanised material and a high-quality polyester primer-coating on both sides. A grey haze from air pollution is largely prevented.

Dark colours should not be used for doors that are exposed to the sun, as possible section deflection may limit the door's function.

The colours and surfaces shown are subject to the limitations of the printing process and cannot be regarded as binding. Please seek the expert advice of your Hörmann specialist dealer.

* Not available with panel style

7 handles



Plastic, White aluminium (RAL 9006)



Cast metal, Traffic white (RAL 9016)



Cast metal, brass coloured



Cast metal, brown



Cast metal, silver coloured



Cast metal, polished stainless steel



Cast metal, brushed stainless steel

Manually operated doors are supplied as standard with a plastic handle in White aluminium. On request, you may select from 6 further cast metal versions. The same versions are also available on request in the automatic doors* with automatic wicket door function.

Hörmann BiSecur

A modern radio system for your home



Convenient inquiry of the door position

You no longer have to go out in all kinds of weather to check that your garage door is closed. At the press of a button, the colour of the LED on the HS 5 BS hand transmitter indicates the position of the door. Press the button again to close the door.

Note: An additional photocell is required if the door is operated out of view.

Only from Hörmann

Tested and certified

The newly developed, extremely secure BiSecur encryption protocol makes sure that no-one can copy your radio signal. Tested and certified by security experts at the Bochum University and as safe as online banking.

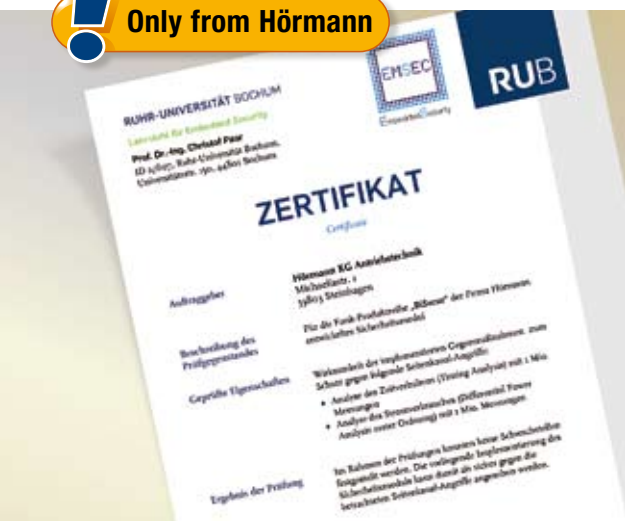
Award-winning design

The new, exclusive BiSecur hand transmitters are set apart by a black or white high-gloss surface in a piano lacquer look, as well as by an elegant shape that fits easily in the palm of your hand.

The figure on the left shows an HS 5 BS hand transmitter with optional hand transmitter station.

Hörmann's BiSecur hand transmitters have been awarded a design prize by an international jury.

More information on our hand transmitters and other control elements can be found on the following page. The complete range of accessories can be found in Hörmann's specialised brochure on garage door and entrance gate operators and at www.hoermann.com.



reddot design award
honourable mention 2011

Two operator variants

For reliable automatic operation
of your side sliding sectional door



SupraMatic

The supra-fast operator with many additional functions.

Opening speed: approx. 12 to 18 cm/s*
 Pull and push force: 650 N
 Peak force: 800 N
 Door width: up to 6500 mm

- 5-button hand transmitter HS 5 BS (black)
- Inquiry of the door position
- Low power consumption in standby of less than 1 watt
- Extremely easy programming by entering a two-digit number
- Separately switchable halogen lighting
- Double automatic safety cut-out in the open and close direction
- Adjustable wicket door opening



ProMatic

The good-value starter model as an introduction to Hörmann's premium quality.

Opening speed: approx. 8 to 10 cm/s*
 Pull and push force: 600 N
 Peak force: 750 N
 Door width: up to 3000 mm

- 2-button hand transmitter HSE 2 BS (black)
- Double automatic safety cut-out in the open and close direction
- Adjustable wicket door opening

* Depending on the door width of the side sliding sectional door

Security can look this beautiful

Hörmann BiSecur hand transmitters and switches



reddot design award
honourable mention 2011



**Hand transmitter
HS 5 BS // NEW**
4 button functions
plus inquiry button, available
in black and white



**Hand transmitter
HSE 2 BS // NEW**
2 button functions
incl. key ring, available
in black and white



**Hand transmitter
HS 4 BS // NEW**
4 button functions
only available in black



**Hand transmitter
HS 1 BS // NEW**
1 button function
only available in black



reddot design award
winner 2007



**Hand transmitter
HSD 2-A BS**
Aluminium look
2 button functions
Can also be used
as a key ring



HSD 2-C BS
High-gloss chrome
2 button functions
Can also be used
as a key ring



**Hand transmitter
HSP 4 BS**
4 button functions
with button lock-out,
including key ring



**Hand transmitter
HSZ 2 BS**
2 button functions
For insertion in vehicle
cigarette lighter



**Hand transmitter
HSZ 1 BS**
1 button function
For insertion in vehicle
cigarette lighter

More control elements and the complete range of accessories can be found in Hörmann's specialised brochure on garage door and entrance gate operators and at www.hoermann.com.

WORLD'S FIRST Automatic wicket door function can be operated via the door handle



**Radio code switch
FCT 3 BS // NEW**
For 3 functions with
illuminated buttons



**Radio code switch
FCT 10 BS // NEW**
For 10 functions with
illuminated buttons
and protective cover



**Radio finger-scan
FFL 12 BS // NEW**
For 2 functions
and up to 12 finger prints



Key switch
For 1 function, in a recessed
version (shown) and surface-
mounted version, including
3 keys. Operation
of the automatic wicket door
function is possible
with an optional
second microswitch.



Automatic wicket door function for doors with operators

Individual wicket door opening

The passage width can be easily set on the operator.
For example, a narrow passage for persons or a wider passage
for bikes, motorcycles or wheelbarrows.

Easy operation

A brief actuation of the handle and the door automatically moves
into the set position. Actuating the handle again closes the door.



Integrated lockable handle with fully-fledged radio internal push button functions

Two buttons and a sliding switch on the interior side of the handle
allow you to:

- 1** Completely open and close the door
- 2** Operate the wicket door function
- 3** Switch off the radio signal (away setting).

Convincing technology

With an optimally matched operator system
or as a manually operated door



Easily fitted.

The frame of the side sliding sectional door is easy to screw together and can subsequently be fastened completely to the garage wall. Fitting in tight areas with only 140 to 450 mm sideroom is made possible with the DS track application (see the illustration on the left) with double side guide rails.



Precise door travel

Twin rollers made of wear-resistant plastic move reliably and precisely on the aluminium rail and prevent the door sections from jumping out. They also make the door move quietly and easily, making it a breeze to operate the door by hand as well. Stable connecting hinges on the rollers and between the PU-foamed 42-mm-thick sections ensure good door leaf stability.

Well-sealed

Flexible and weather-resistant seals on the sides and in the lintel area of the door frame keep out the wind and rain. The side seal optimally fills the door gap with a large-sized profile lip. Seals between the individual sections and at the bottom edge also provide for good door sealing.

Securely locked

The bottom and top door guide close the door precisely. Two additional hooks on the side of the door firmly connect the end of the door leaf with the side frame. This mechanical lock is also practical for preventing the door from being forced open.

To improve break-in resistance, doors can be optionally equipped with 3-point locking at the closing edge.

Well-guided

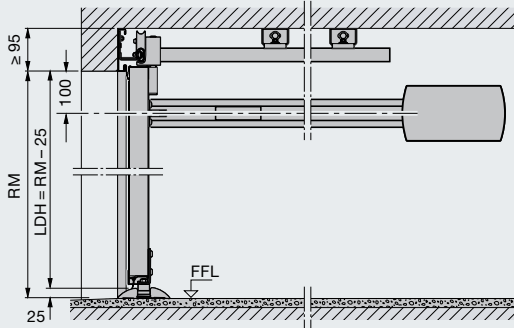
The aluminium floor rail reliably guides the door sections and prevents the sections from swivelling out. A flat design of only 25 mm makes it easy to drive in and out. It is easy to clean out dirt and leaves from the rail, as it is open on the ends.



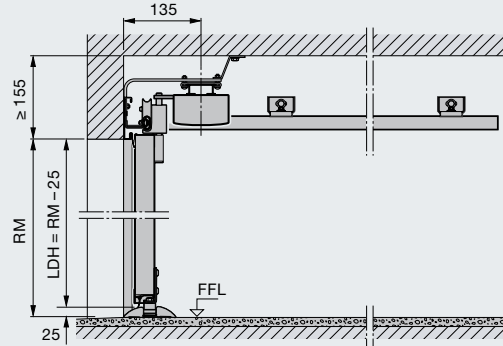
Space requirement and fitting dimensions

For side sliding sectional doors HST with ES or DS track application

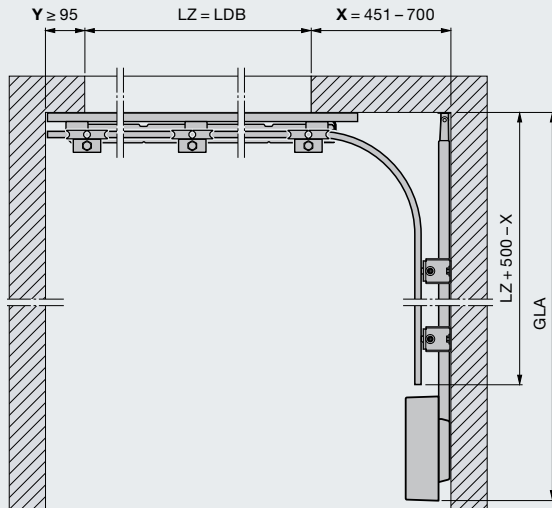
Fitting dimensions (operator wall fitting)



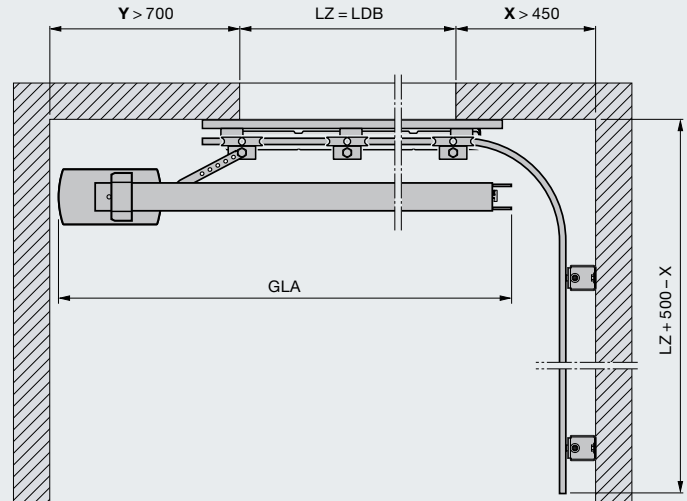
Fitting dimensions (operator ceiling fitting)



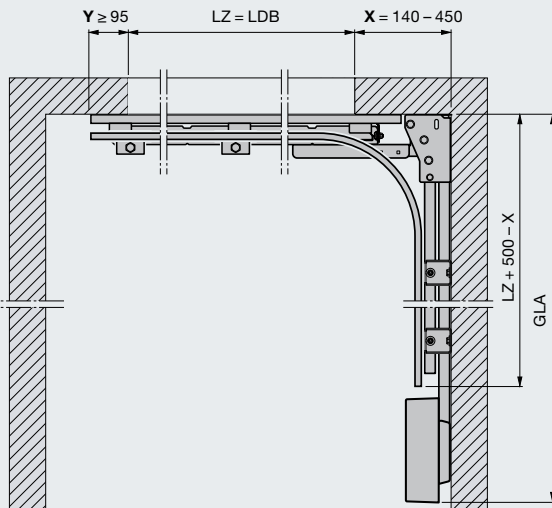
ES track application (single track) operator wall fitting



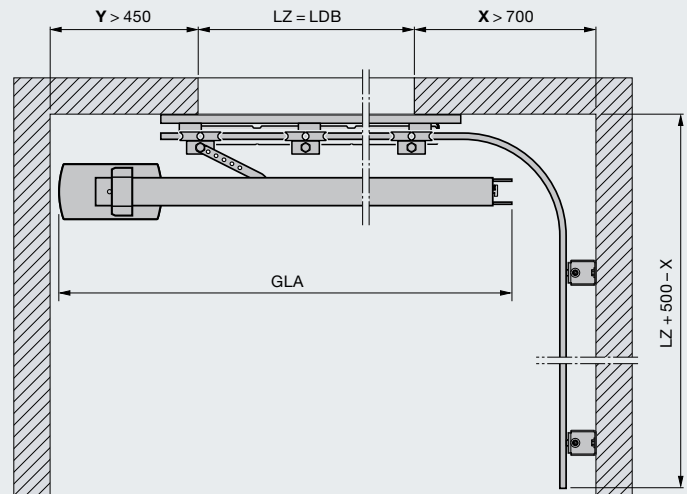
ES track application (single track) operator ceiling fitting A



DS track application (double track) operator wall fitting



ES track application (single track) operator ceiling fitting B



Space requirement for wall fitting

	X	Y
ES track application	451 – 700	> 95
DS track application	140 – 450	> 95

Space requirement for ceiling fitting

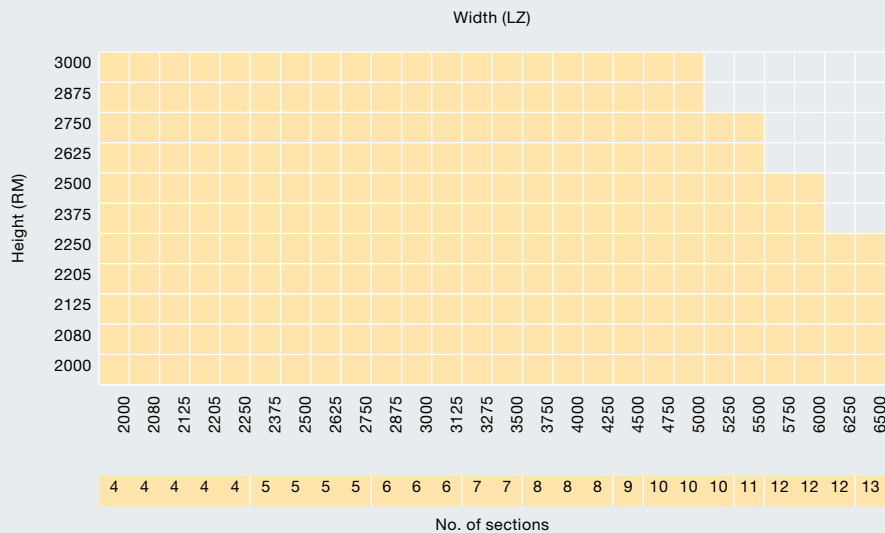
	X	Y
ES track application		
Variant A	> 450	> 700
Variant B	> 700	> 450

Determination of operator boom (ES and DS track application)

LZ	Operator boom	GLA (SupraMatic / ProMatic)
≤ 2205	K	3200
≤ 2375	M	3450
≤ 3000	L	4125
≤ 3275	XL	4375
≤ 4750	5500	5725
≤ 6500	7000	7225

Min. distance back = LZ + 1100 mm
(if operator boom is shortened on site)

Size range (max.)



Silkgrain surface finish: not available in widths 2625, 2875, 5250, 6250
Decograin surface finish: not available in widths 2625, 2875, 5250, 6250

S-panelled, Decograin: not available in widths 2080, 2205, 2625, 2750, 2875, 5250, 6250

Explanation of dimensions

- RM Grid height (ordering size)
- LZ Clear frame dimensions (ordering size)
- LDH Clear passage height
- LDB Clear passage width
- GLA Overall length with operator
- X Space requirement on curve side
- Y Space requirement on stop side

For further information, please see the fitting data or contact your Hörmann partner.



Experience Hörmann quality

For every application involving new construction and modernisation

Hörmann provides an excellent basis for comprehensive planning. Carefully matched solutions offer you the very best in perfectly designed products for every area.

Garage doors

Optimally match your personal architectural style: up-and-over or sectional doors made of steel or timber.

Door operators

Enjoy extra convenience and break-in-resistant security: Hörmann operators for garage doors and entrance gates.

Entrance doors

Our comprehensive entrance door ranges include models that fit almost every need and requirement.

Steel doors

Sturdy doors for your entire home, from basement to roof.

Frames

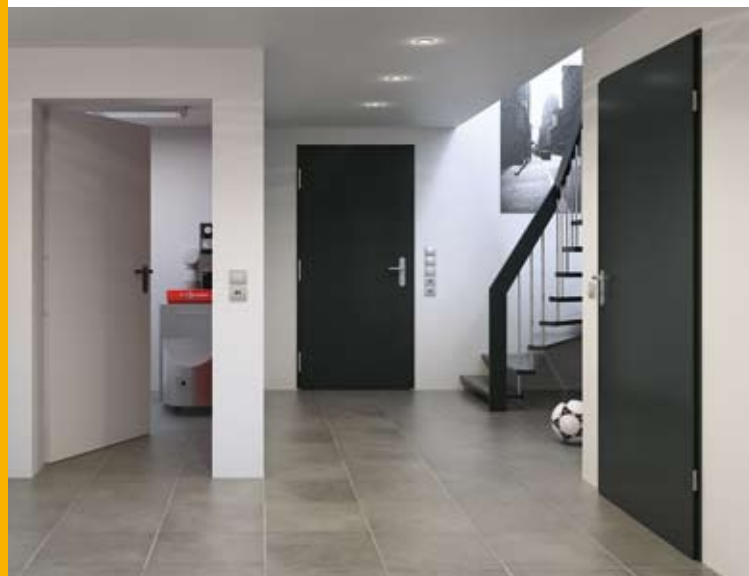
Choose from our comprehensive range of products for new construction, expansion and modernisation.



Garage door and entrance gate operators



Entrance doors



Steel doors

www.hoermann.com

Hörmann: Quality without Compromise



Hörmann KG Amshausen, Germany



Hörmann KG Antriebstechnik, Germany



Hörmann KG Brandis, Germany



Hörmann KG Brockhagen, Germany



Hörmann KG Dissen, Germany



Hörmann KG Eckelhausen, Germany



Hörmann KG Freisen, Germany



Hörmann KG Ichtshausen, Germany



Hörmann KG Werne, Germany



Hörmann Genk NV, Belgium



Hörmann Alkmaar B.V., Netherlands



Hörmann Legnica Sp. z o.o., Poland



Hörmann Beijing, China



Hörmann Tianjin, China



Hörmann LLC, Montgomery IL, USA



Hörmann Flexon, Leetsdale PA, USA

Hörmann is the only manufacturer worldwide that offers you a complete range of all major building products from one source. We manufacture in highly-specialised factories using the latest production technologies. The close-meshed network of sales and service companies throughout Europe, and activities in the USA and China, make Hörmann your strong partner for first-class building products, offering “Quality without Compromise”.

GARAGE DOORS
OPERATORS
INDUSTRIAL DOORS
LOADING EQUIPMENT
HINGED DOORS
DOOR FRAMES

